

# PrintStudio

Vinyl Printing



Cardiff  
Metropolitan  
University

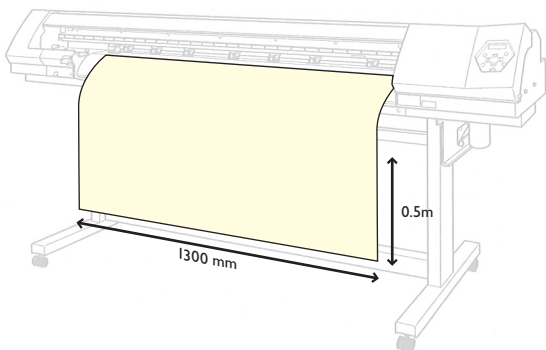
Prifysgol  
Metropolitan  
Caerdydd

## PRICING & SIZING INFORMATION

We print our vinyl onto a roll and charge by length. The printer in Llandaff can print up to 700mm wide while Cyncoed can print 1300mm wide.

You can fill the area however you want - one large design or multiple smaller designs - its up to you! Our software will automatically rotate and repeat graphics to use the printable area efficiently.

We can print onto matt & gloss stickers, wallpaper, canvas, window films and more. We understand every job is different so we quote every job to give you the best possible price! Email us your artwork today for a quote.



*An example showing the minimum area printable*

# CREATING A CUT PATH IN ADOBE ILLUSTRATOR

Individual, smaller stickers can be made - you can fill the large area with as many stickers as you want! Our software can easily lay out your artwork to produce the largest quantity of stickers at the lowest price.

To create an outline for the machine to cut:



1. Create the shape you wish to cut out.
2. Create a new swatch in the swatches palette. Double click it to open up a few options;
  - i. Name your swatch "CutPath" (Capital C and P required)
  - ii. The color type must be set to Spot Color
3. Give the shape a 0.25pt thick outline. Use the "CutPath" swatch as an outline color with no fill.
4. The image needs to be saved as a EPS file.

find us online at  
[www.cardiffmet.ac.uk/printstudio](http://www.cardiffmet.ac.uk/printstudio)

or tweet us at  
[@printstudio2](https://twitter.com/printstudio2)



Llandaff

☎ 02920 41 6166

✉ [llprintstudio@cardiffmet.ac.uk](mailto:llprintstudio@cardiffmet.ac.uk)



Cyncoed

☎ 02920 41 7087

✉ [cyprintstudio@cardiffmet.ac.uk](mailto:cyprintstudio@cardiffmet.ac.uk)